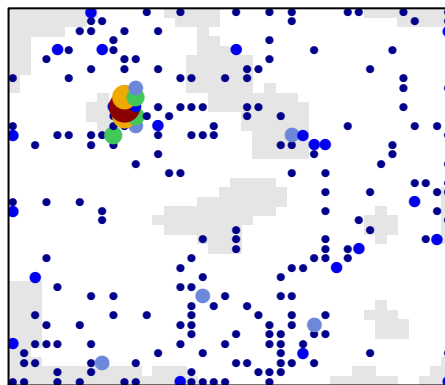
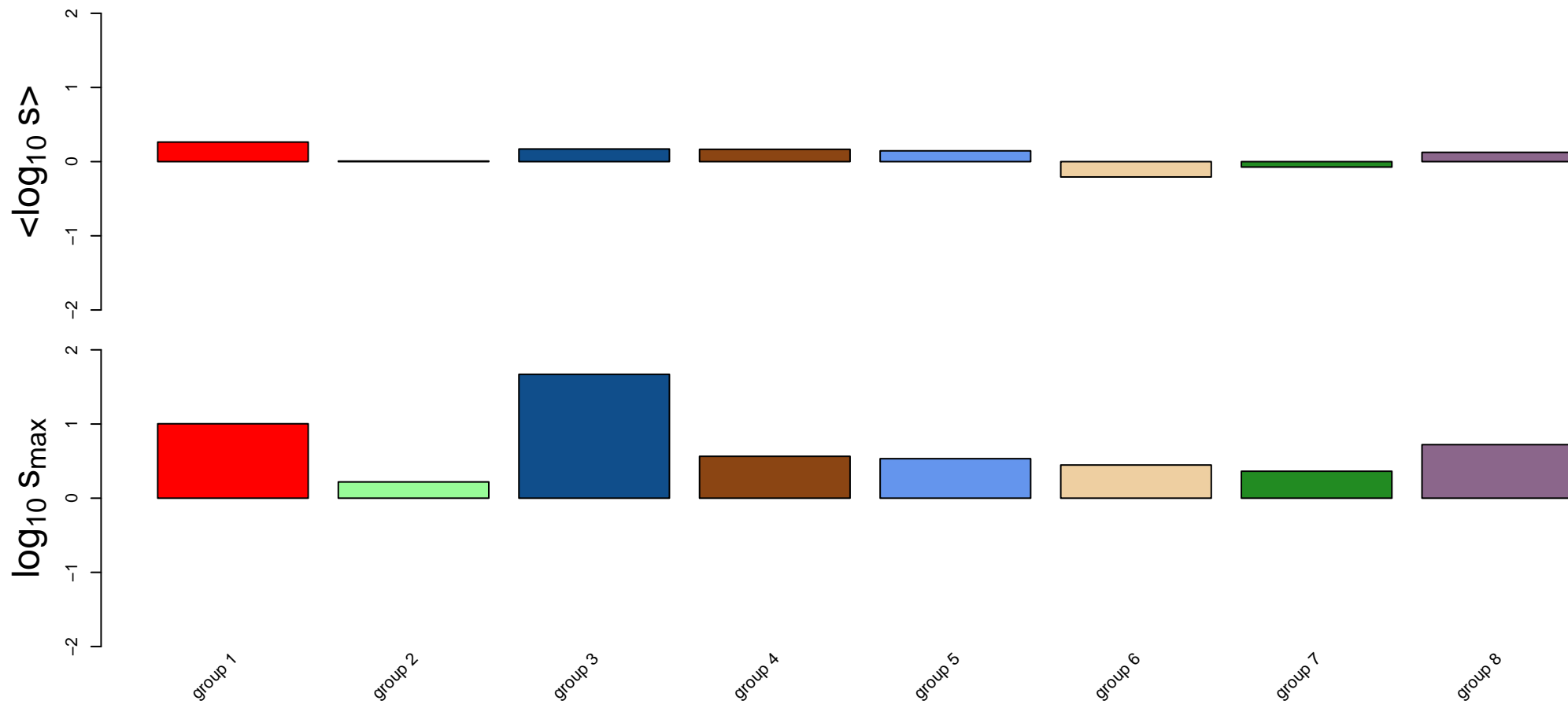
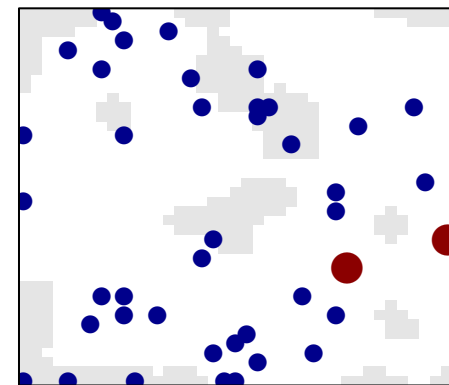


Non-alcoholic fatty liver disease (NA)

all genes



sink node genes



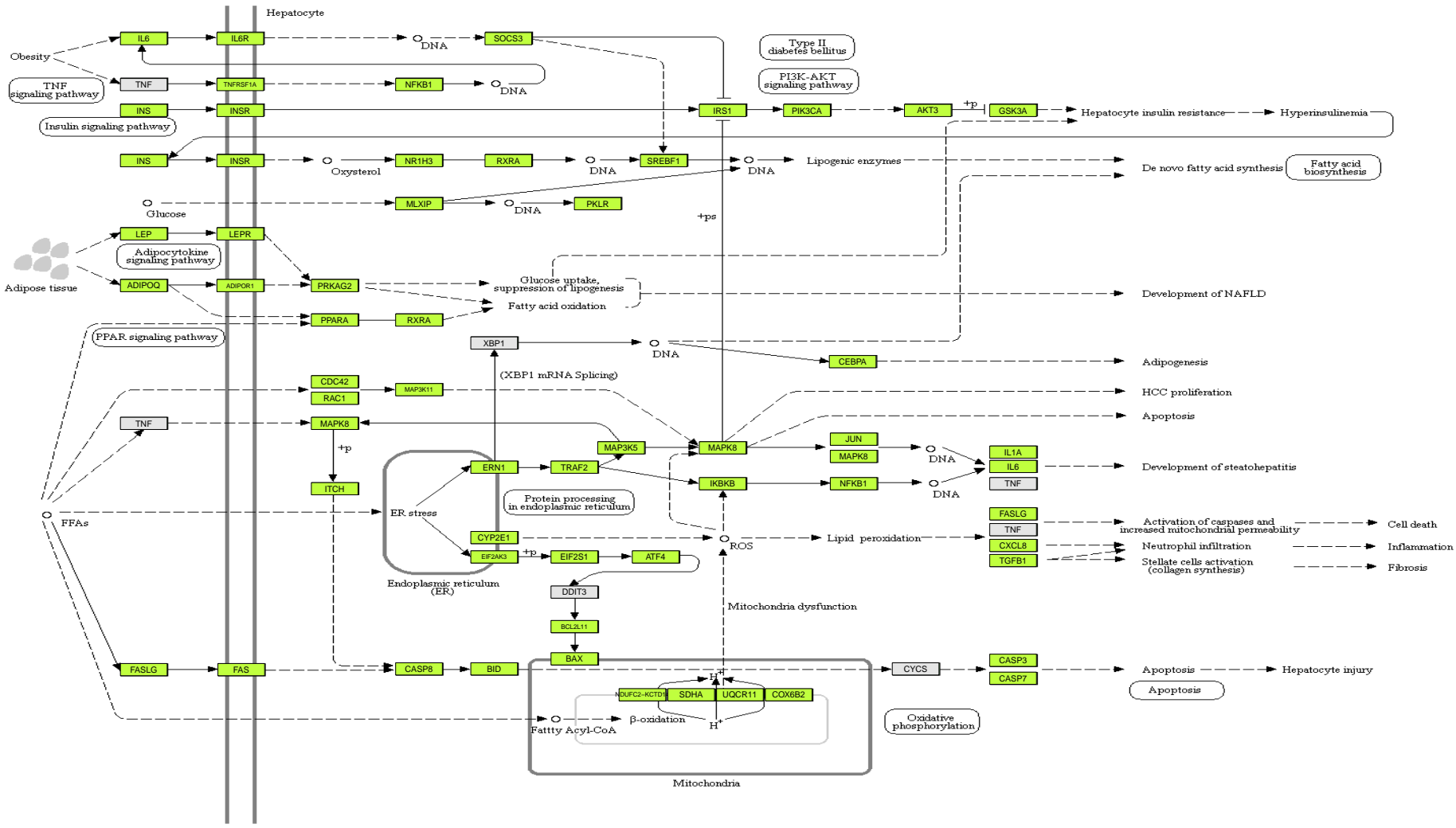
Non_alcoholic_fatty_liver_disease_NAFLD
genes with data

Simple steatosis
(without inflammation and fibrosis)

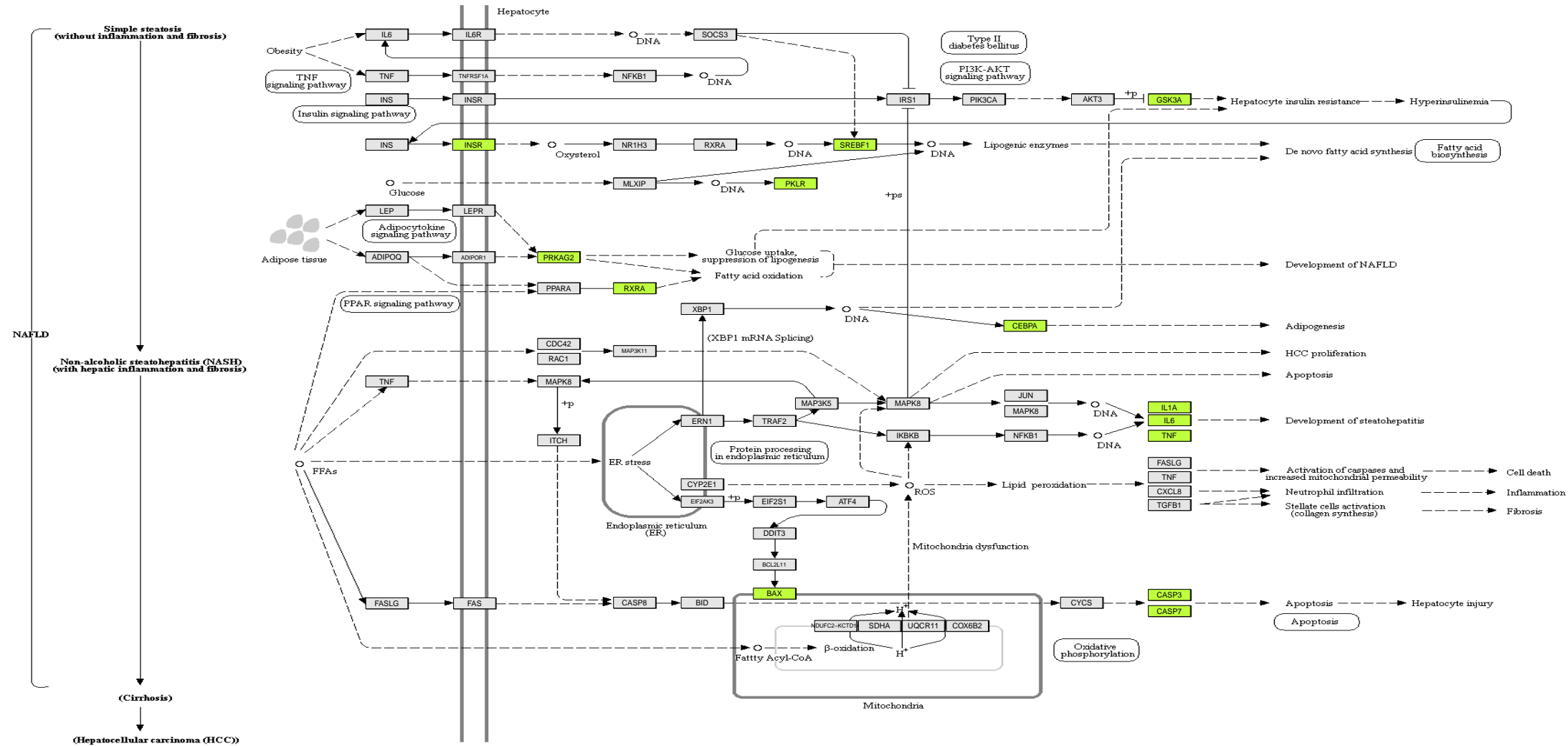
NAFLD
Non-alcoholic steatohepatitis (NASH)
(with hepatic inflammation and fibrosis)

(Cirrhosis)

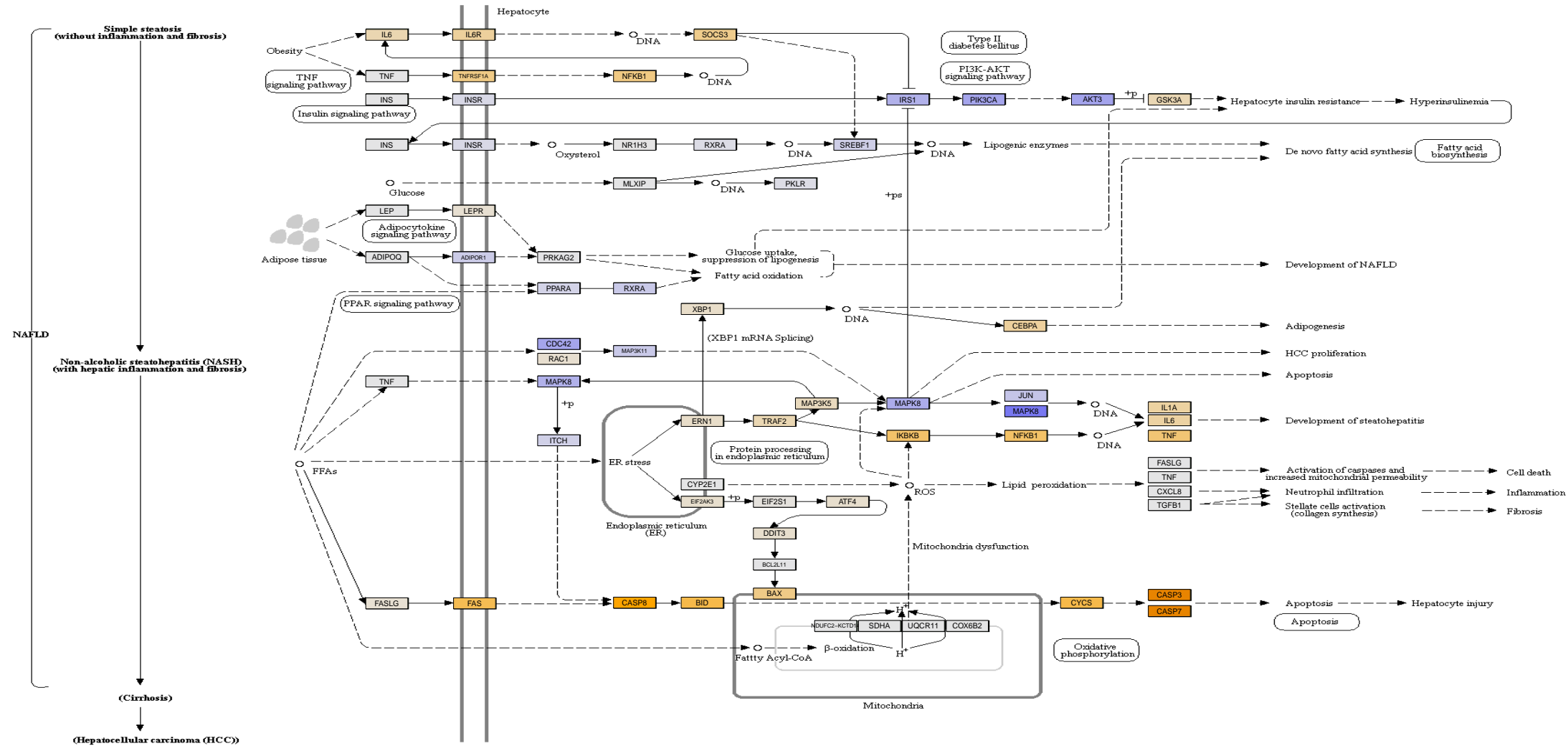
(Hepatocellular carcinoma (HCC))



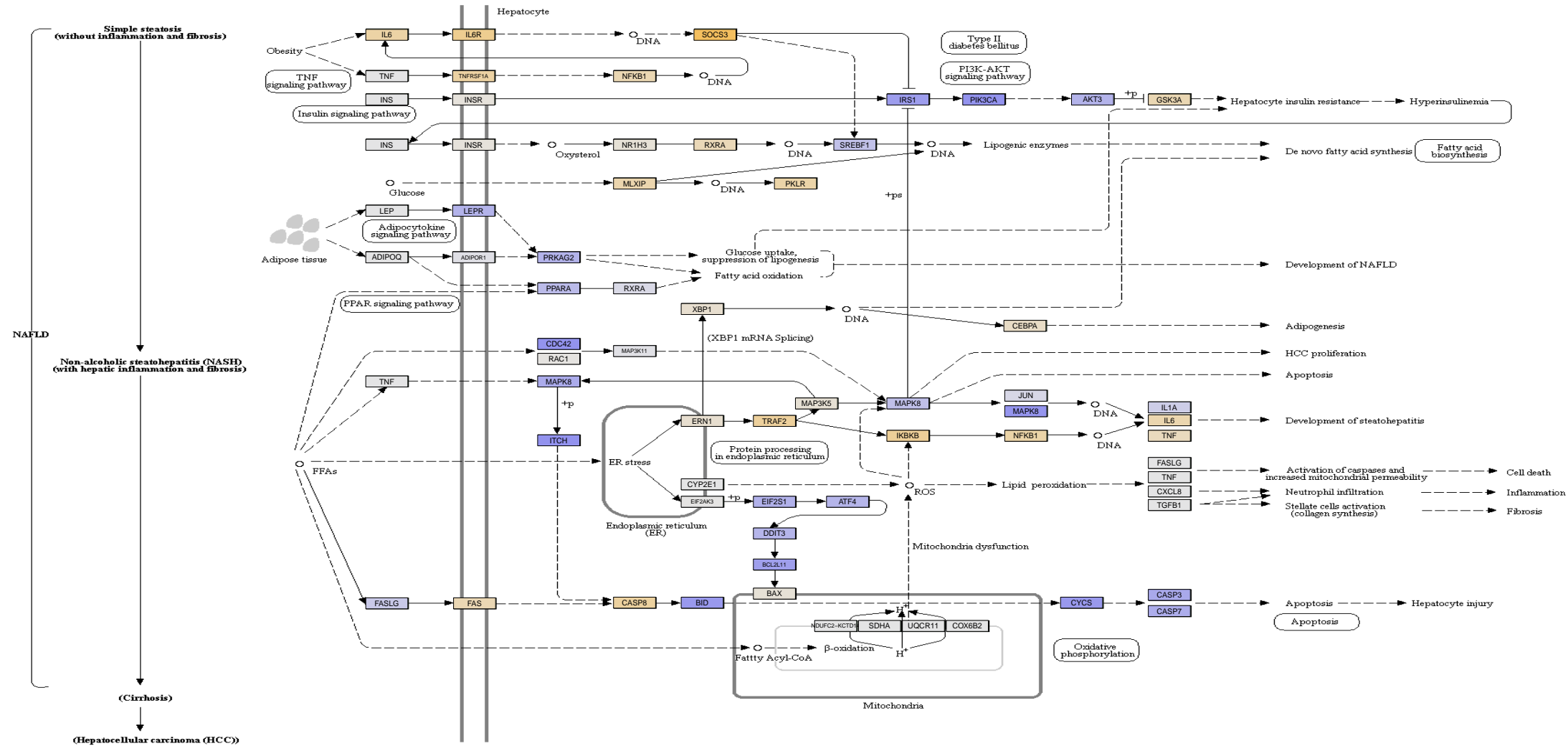
Non_alcoholic_fatty_liver_disease_NAFLD
sink nodes



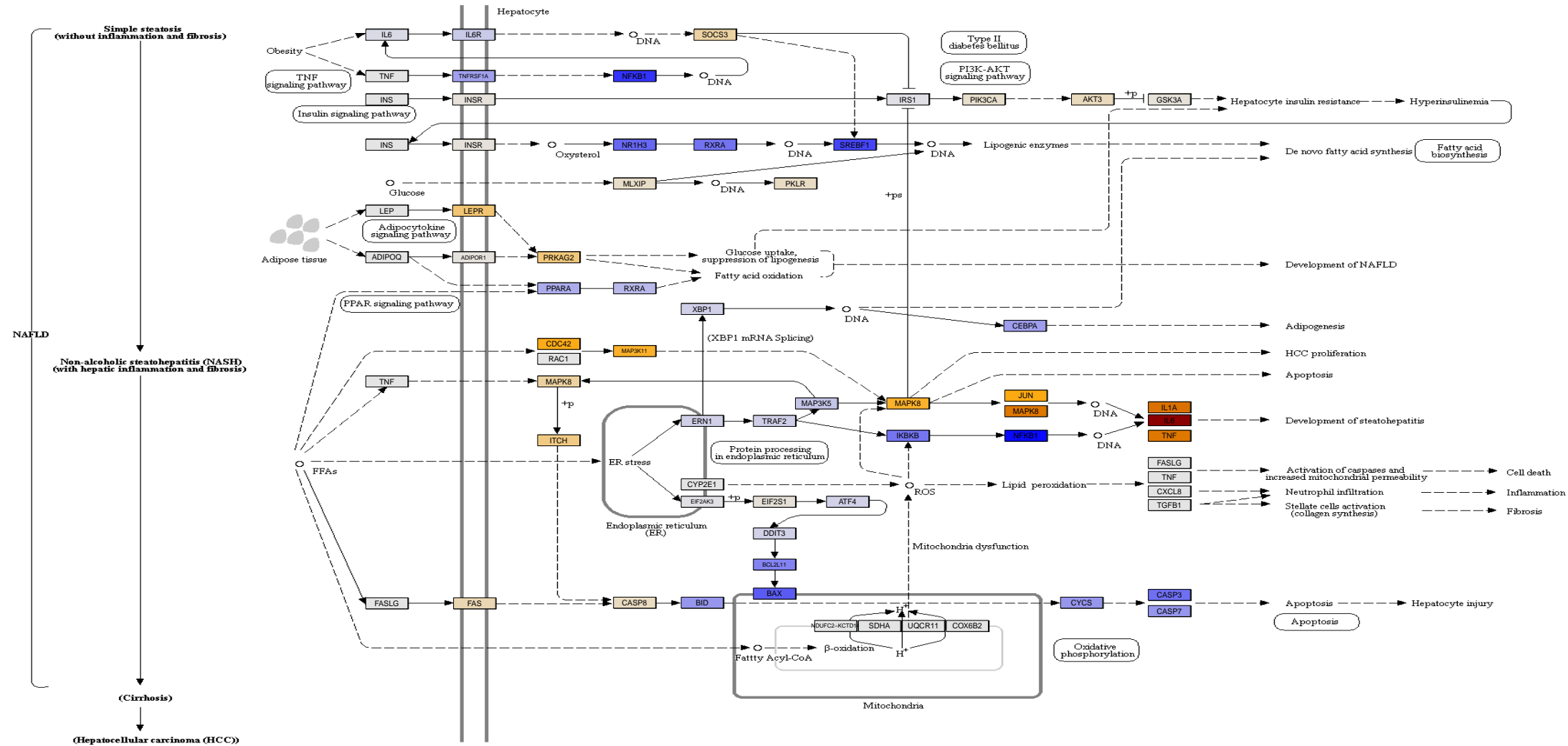
Non_alcoholic_fatty_liver_disease_NAFLD_group_1



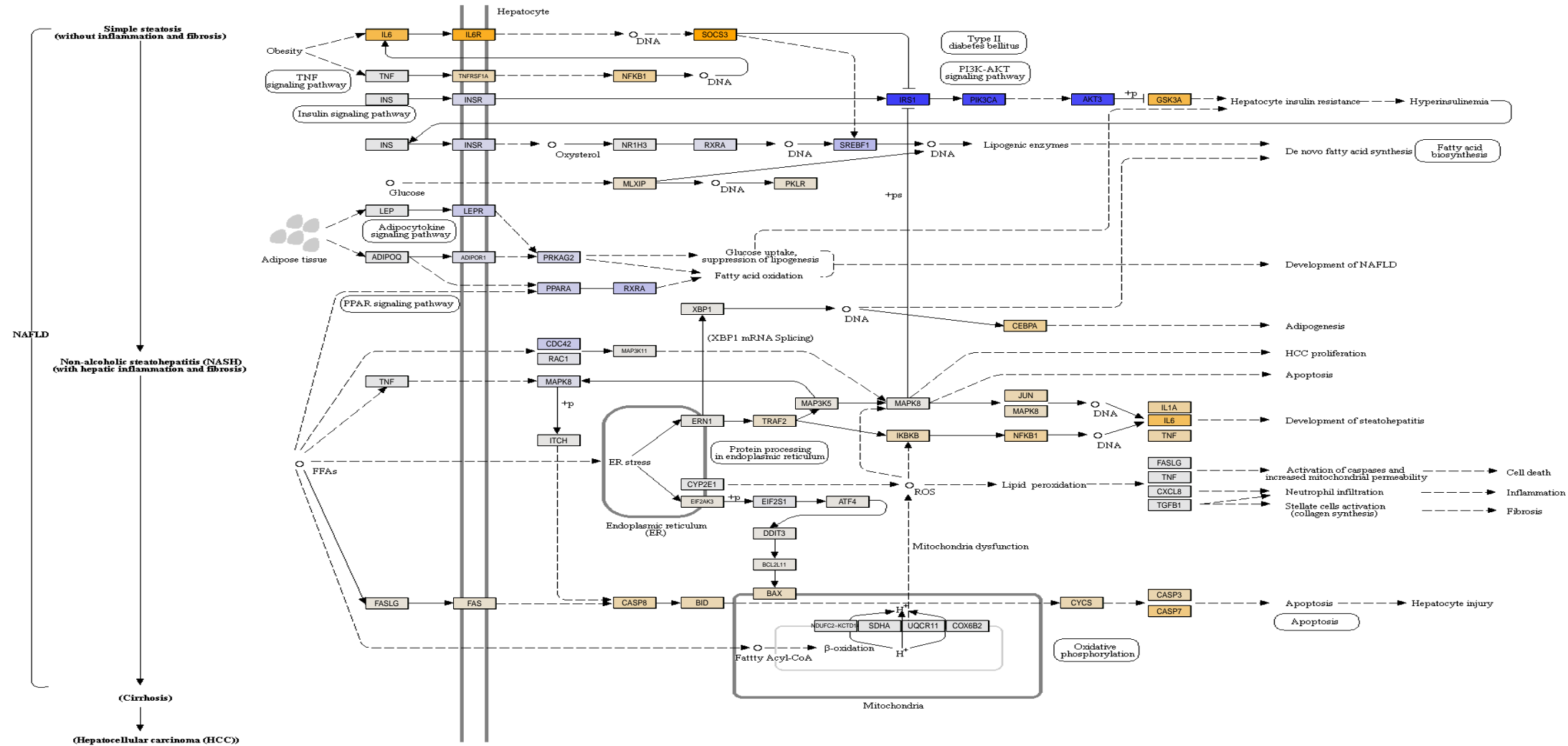
Non_alcoholic_fatty_liver_disease_NAFLD_group 2



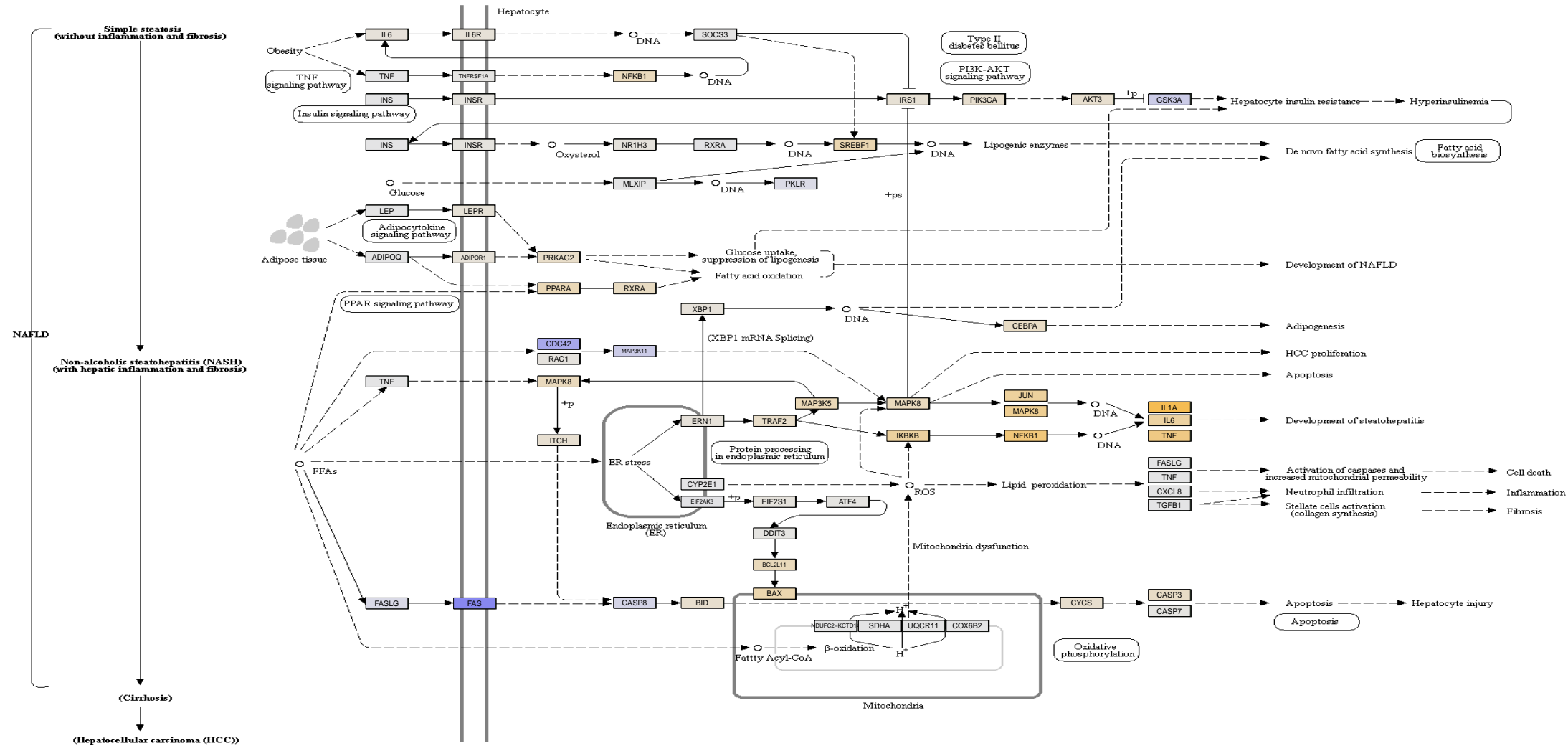
Non_alcoholic_fatty_liver_disease_NAFLD_group_3



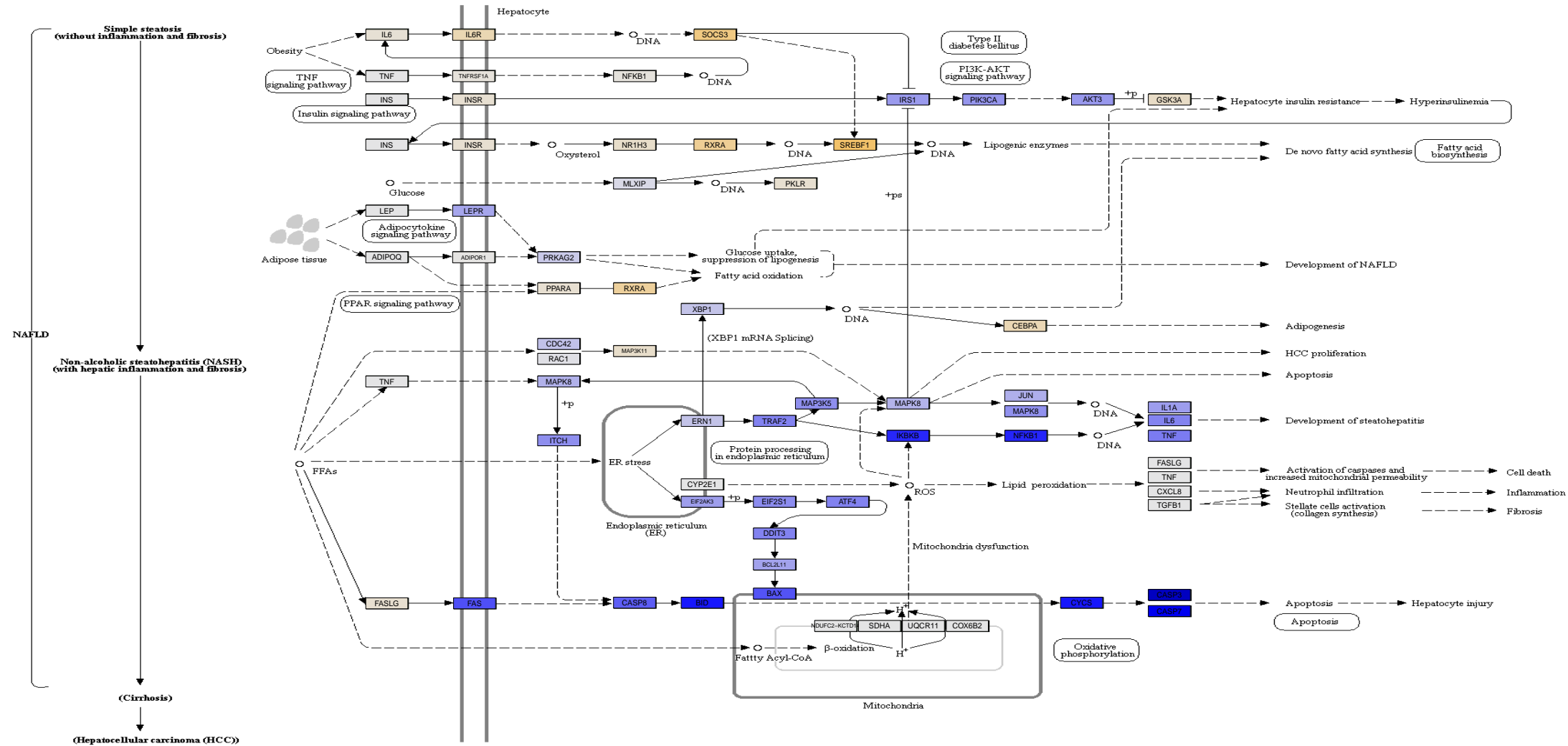
Non_alcoholic_fatty_liver_disease_NAFLD_group 4



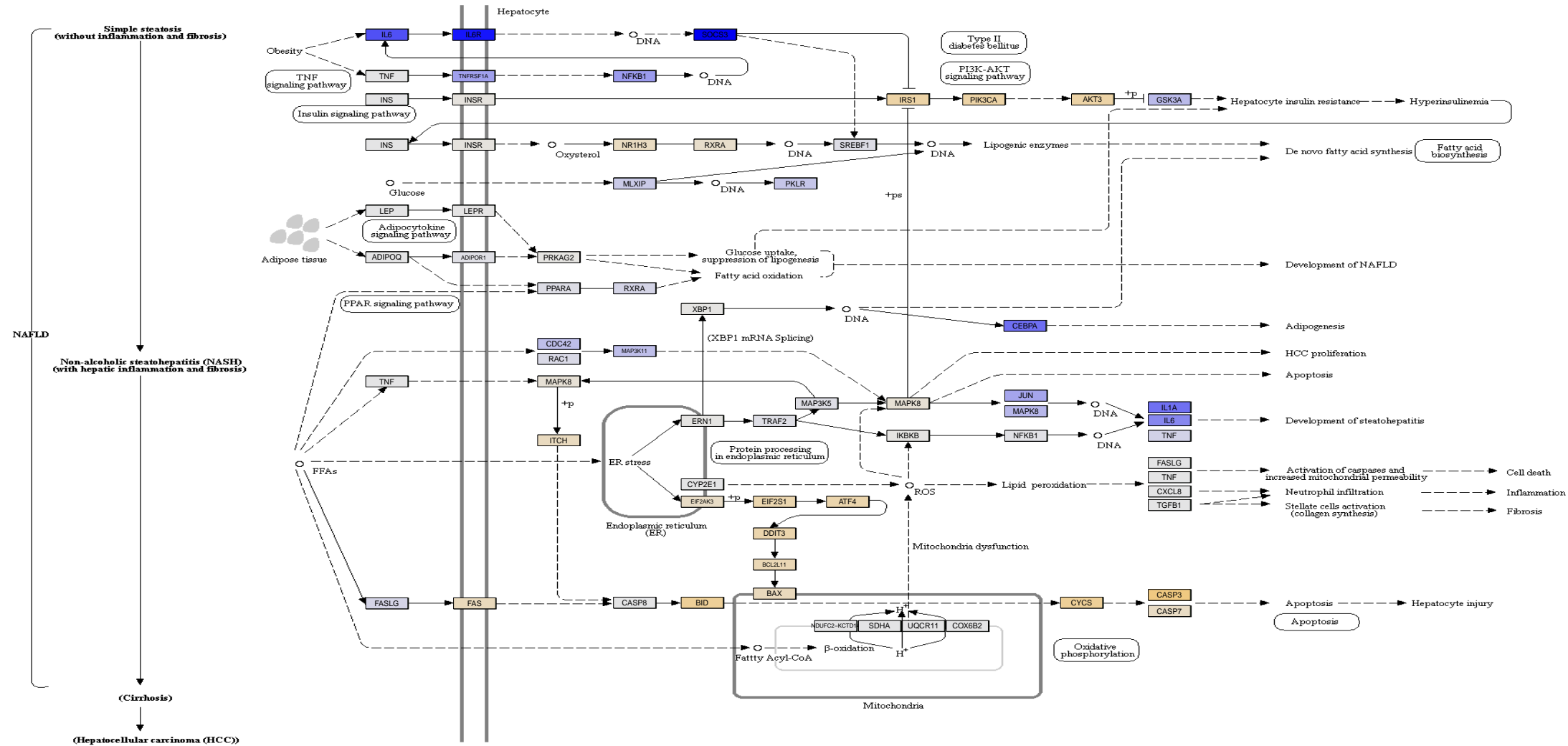
Non_alcoholic_fatty_liver_disease_NAFLD_group 5



Non_alcoholic_fatty_liver_disease_NAFLD_group.6



Non_alcoholic_fatty_liver_disease_NAFLD_group.7



Non_alcoholic_fatty_liver_disease_NAFLD_group.8

